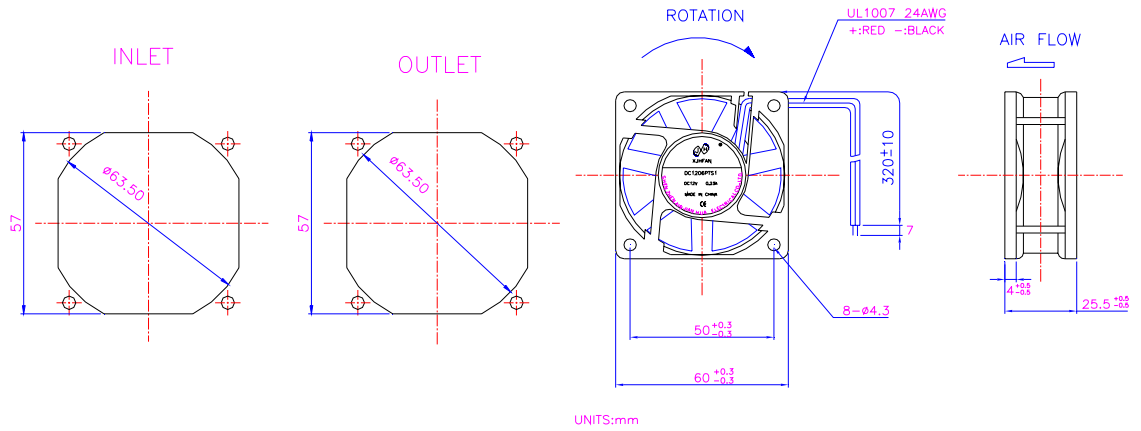


60 × 60 × 25 mm

XJHFAN

Bearing Type: Ball/Sleeve bearing

Air Flow: 17~21CFM



编号 Model	电压 Rating Voltage(VDC)	电流 Power Current (AMP)	功率 Power Consumption (WATTS)	轴承 Bearing Ball Sleeve	转速 Speed (RPM)	风量 Air Flow (CFM)	风压 Static Pressure (Inch-H ₂ O)	噪声 Noise (dBA)
DC1206PTS1	12	0.16	1.9	S	4300	22	0.20	34
DC1206PTS2	12	0.11	1.3	S	3700	18	0.15	30
DC1206PTS3	12	0.07	0.8	S	3100	16	0.10	26
DC1206PTB1	12	0.17	2.0	B	4300	22	0.20	34
DC1206PTB2	12	0.11	1.3	B	3700	18	0.15	30
DC1206PTB3	12	0.07	0.8	B	3100	16	0.10	26
DC2406PTS1	24	0.11	2.6	S	4300	22	0.20	34
DC2406PTS2	24	0.08	1.9	S	3700	18	0.15	30
DC2406PTS3	24	0.06	1.4	S	3100	16	0.10	26
DC2406PTB1	24	0.11	2.6	B	4300	22	0.20	34
DC2406PTB2	24	0.08	1.9	B	3700	18	0.15	30
DC2406PTB3	24	0.06	1.4	B	3100	16	0.10	26

