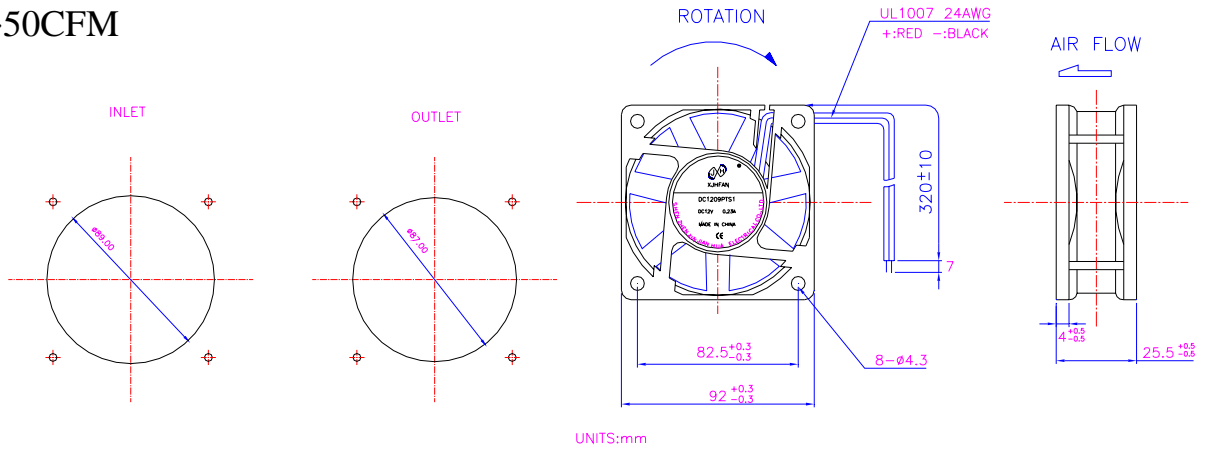


92 × 92 × 25 mm

XJHFAN

Bearing Type: Ball/Sleeve bearing

Air Flow: 39~50CFM



编号 Model	电压 Rating Voltage(VDC)	电流 Power Current ( AMP )	功率 Power Consumption ( WATTS )	轴承 Bearing Ball Sleeve	转速 Speed ( RPM )	风量 Air Flow ( CFM )	风压 Static Pressure ( Inch-H <sub>2</sub> O )	噪声 Noise ( dBA )
DC1209PTS1	12	0.22	2.6	S	2500	44	0.14	35
DC1209PTS2	12	0.21	2.5	S	2400	43	0.14	34
DC1209PTS3	12	0.14	1.7	S	2100	39	0.11	30
DC1209PTB1	12	0.21	2.5	B	2700	48	0.17	37
DC1209PTB2	12	0.20	2.4	B	2600	46	0.16	36
DC1209PTB3	12	0.13	1.6	B	2300	41	0.12	32
DC2409PTS1	24	0.14	3.4	S	2800	49	0.17	37
DC2409PTS2	24	0.09	2.2	S	2500	44	0.15	34
DC2409PTS3	24	0.07	1.7	S	2100	39	0.11	30
DC2409PTB1	24	0.14	3.4	B	3000	50	0.20	38
DC2409PTB2	24	0.09	2.2	B	2600	45	0.16	36
DC2409PTB3	24	0.07	1.7	B	2300	41	0.12	32

