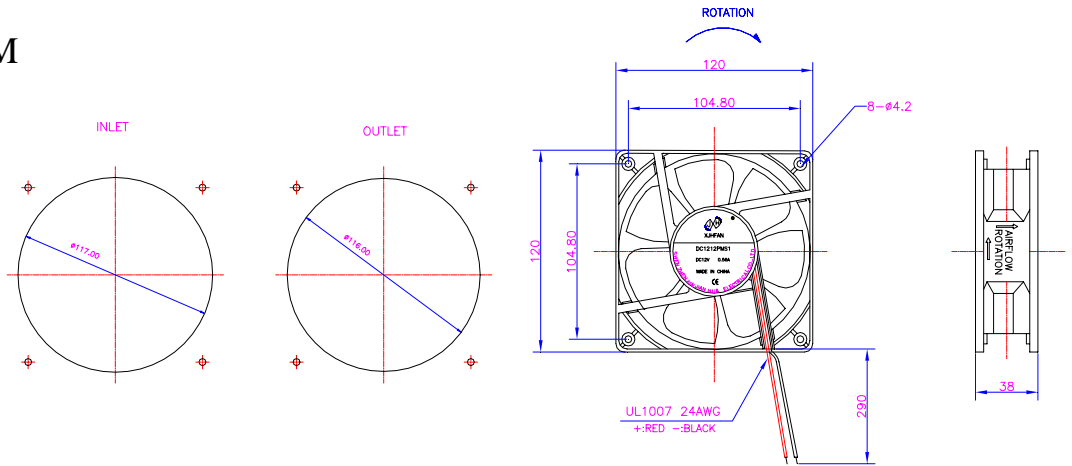


120 × 120 × 38 mm

XJHFAN

Bearing Type: Ball/Sleeve bearing

Air Flow: 83~119CFM



编号 Model	电压 Rating Voltage(VDC)	电流 Power Current ( AMP )	功率 Power Consumption ( WATTS )	轴承 Bearing Ball Sleeve	转速 Speed ( RPM )	风量 Air Flow ( CFM )	风压 Static Pressure ( Inch-H <sub>2</sub> O )	噪声 Noise ( dBA )
DC1212PMS1	12	0.56	6.7	S	3000	118	0.32	45
DC1212PMS2	12	0.43	5.1	S	2700	97	0.24	41
DC1212PMS3	12	0.27	3.2	S	2300	83	0.18	34
DC1212PMB1	12	0.56	6.7	B	3100	119	0.33	45
DC1212PMB2	12	0.43	5.1	B	2800	98	0.25	41
DC1212PMB3	12	0.27	3.2	B	2400	84	0.19	34
DC2412PMS1	24	0.33	7.9	S	3000	118	0.32	45
DC2412PMS2	24	0.25	6	S	2700	97	0.24	41
DC2412PMS3	24	0.18	4.2	S	2300	83	0.18	34
DC2412PMB1	24	0.33	7.9	B	3100	119	0.33	45
DC2412PMB2	24	0.25	6	B	2800	98	0.25	41
DC2412PMB3	24	0.18	4.2	B	2400	84	0.19	34

