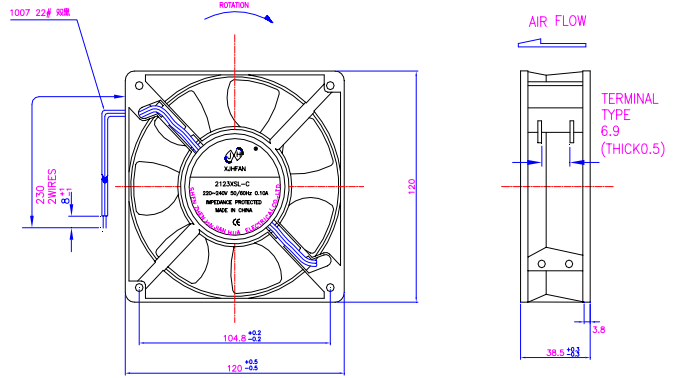
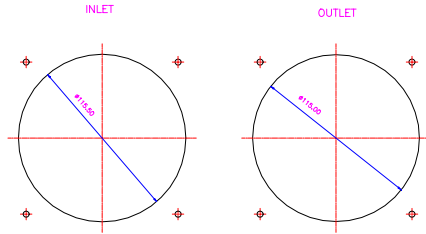


120×120×38 mm ALVEOLATE MOTOR (电容风机)

XJHFAN

Bearing Type: Ball/Sleeve bearing

Air Flow: 120~130CFM



规格型号 P/N	电压 Rating Voltage(VAC)	频率 Frequency (Hz)	电流 Power Current (AMP)	功率 Power Consumption (WATTS)	轴承 Bearing Ball Sleeve	转速 Speed (RPM)	风量 Air Flow (CFM)	风压 Static Pressure (Inch-H2O)	噪声 Noise (dBA)
1123XSL-C (T)	115	50/60	0.22/0.21	26/25	S	2550/2900	120/130	0.38/0.39	50/52
1123XBL-C (T)	115	50/60	0.26/0.24	26/25	B	2600/3000	120/130	0.38/0.39	50/52
2123XSL-C (T)	220/240	50/60	0.10/0.09	22/21	S	2550/2900	120/130	0.38/0.39	50/52
2123XBL-C (T)	220/240	50/60	0.10/0.09	22/21	B	2600/3000	120/130	0.38/0.39	50/52

