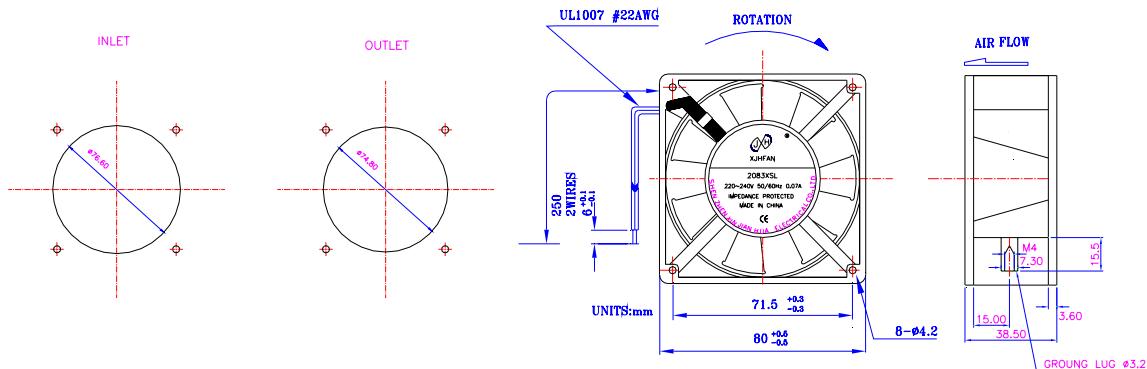


80 × 80 × 38 mm

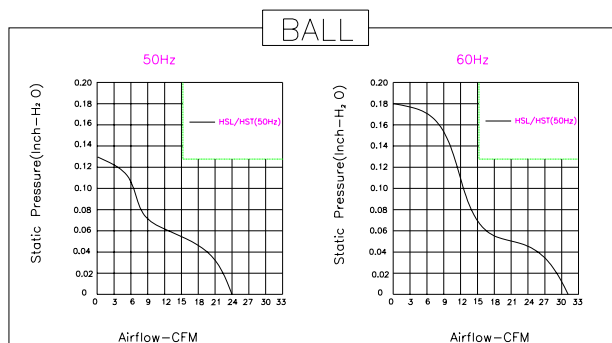
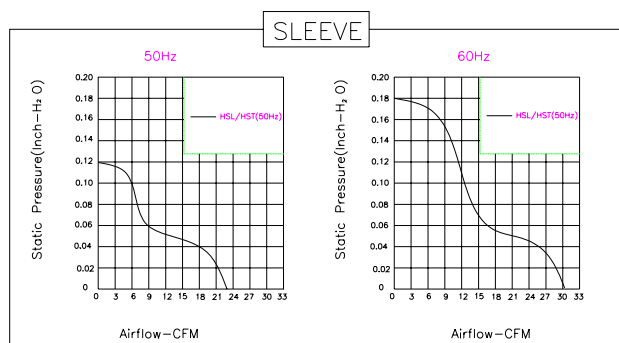
XJHFAN

Bearing Type: Ball/Sleeve bearing

Air Flow: 23~31CFM



规格型号 P/N	电压 Rating Voltage(VAC)	频率 Frequency (Hz)	电流 Power Current (AMP)	功率 Power Consumption (WATTS)	轴承 Bearing Ball Sleeve	转速 Speed (RPM)	风量 Air Flow (CFM)	风压 Static Pressure (Inch-H2O)	噪声 Noise (dBA)
1083HSL	115	50/60	0.12/0.11	11/10	S	2300/2600	23/30	0.12/0.18	31/35
1083HBL	115	50/60	0.12/0.11	11/10	B	2400/2650	24/31	0.13/0.19	32/36
2083HSL	220/240	50/60	0.07/0.06	13/12	S	2300/2600	23/29	0.12/0.18	31/35
2083HBL	220/240	50/60	0.07/0.06	13/12	B	2400/2650	24/31	0.13/0.19	32/36



SHENZHEN XINJIANHUA ELECTRICAL CO., LTD.

AC Series