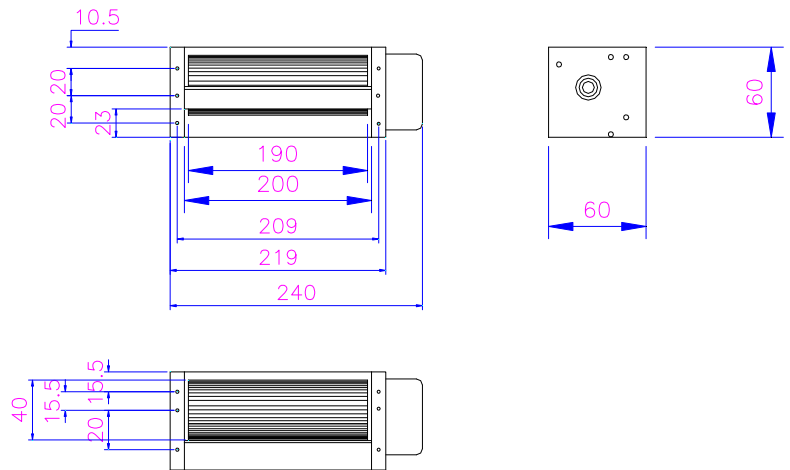


XJH40190

XJHFAN

Bearing Type: Ball/Sleeve bearing

Air Flow: 65CFM



规格型号 P/N	电压 Rating Voltage(DC)	电流 Power Current (AMP)	功率 Power Consumption (WATTS)	轴承 Bearing Ball Sleeve	转速 Speed (RPM)	风量 Air Flow (CFM)	噪声 Noise (dBA)
XJH40190-DC12	12	0.32	4.0	S	2200	43	33
XJH40190-DC24	24	0.16	4.0	S	2150	42	33
XJH40190-DC12	12	0.32	4.0	B	2200	43	33
XJH40190-DC24	24	0.16	4.0	B	2150	42	33
47-40190-DC24	24	0.35	8.4	B	3200	65	40
47-40190-DC12	12	0.65	7.8	B	3200	65	40