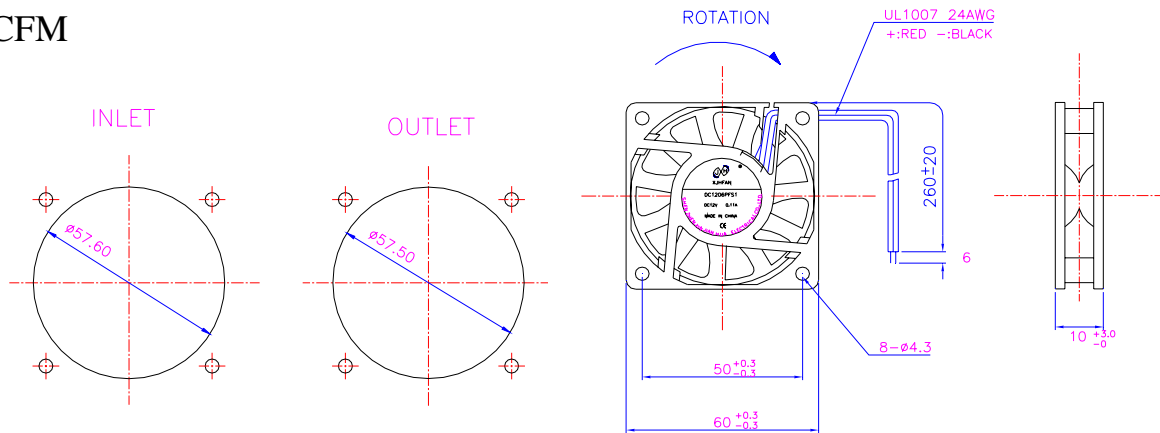


60 × 60 × 10 mm

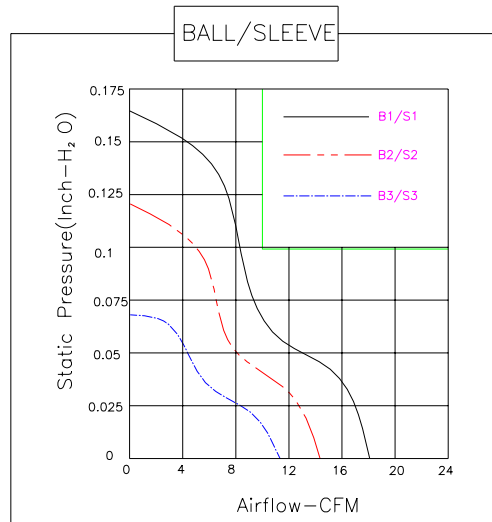
XJHFAN

Bearing Type: Ball/Sleeve bearing

Air Flow: 14~19CFM



编号 Model	电压 Rating Voltage(VDC)	电流 Power Current ( AMP )	功率 Power Consumption ( WATTS )	轴承 Bearing Ball Sleeve	转速 Speed ( RPM )	风量 Air Flow ( CFM )	风压 Static Pressure ( Inch-H <sub>2</sub> O )	噪声 Noise ( dBA )
DC1206PFS1	12	0.11	1.4	S	5200	16.5	0.17	36
DC1206PFS2	12	0.08	1.0	S	4300	14	0.12	35
DC1206PFS3	12	0.06	0.8	S	3600	11	0.07	29
DC1206PFB1	12	0.11	1.4	B	5200	16.5	0.17	36
DC1206PFB2	12	0.08	1.0	B	4300	14	0.12	35
DC1206PFB3	12	0.06	0.8	B	3600	11	0.07	29



SHENZHEN XINJIANHUA ELECTRICAL CO., LTD.

AC Series