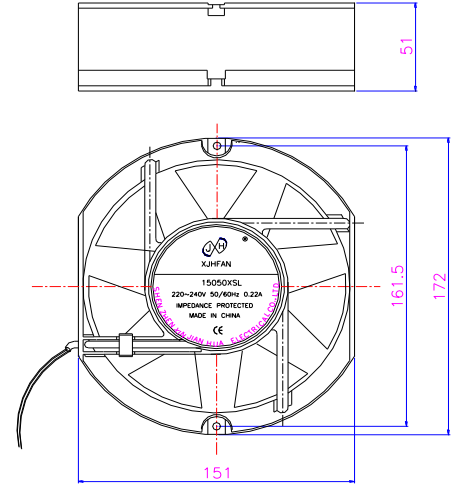
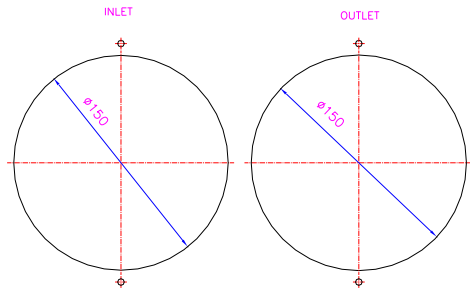


172×151×51 mm ALVEOLATE MOTOR (电容风机)

# XJFFAN

Bearing Type: Ball/Sleeve bearing

Air Flow: 200~240CFM



型号 P/N	电压 Rating Voltage(VAC)	频率 Frequency (Hz)	电流 Power Current (AMP)	功率 Power Consumption (WATTS)	轴承 Bearing Ball Sleeve	转速 Speed (RPM)	风量 Air Flow (CFM)	风压 Static Pressure (Inch-H <sub>2</sub> O)	噪声 Noise (dBA)
15050HBL-C (T)	220/240	50/60	0.22/0.24	48/54	B	2800/3100	220/240	0.62/0.69	55

